



The STRATUS SENIOR from Bertrand-Puma is a dough sheeter on a stand, meant for the slimming and stratification of the dough.



- + Frame and cover are made of epoxy painted steel.
- + Tables can be removed and folded up when not in use.
- + Belts in woven plastic.
- + Reinforced joystick to guide the procession of the dough.
- + Ergonomic handle of the lever.
- + Reinforced aluminum adjustment lever.
- + Tear-proof feed rollers at the entry of the conveyor belt.
- + Stainless steel cylinders protected thanks to a safety microswitch and gas springs.
- + Quick replacement of the belts (30min) thanks to an unlocking system of the table.



Facilitated replacement of the belts in under thirty minutes.



Reinforced joystick and adjustment lever in reinforced aluminum.

■ Technical data

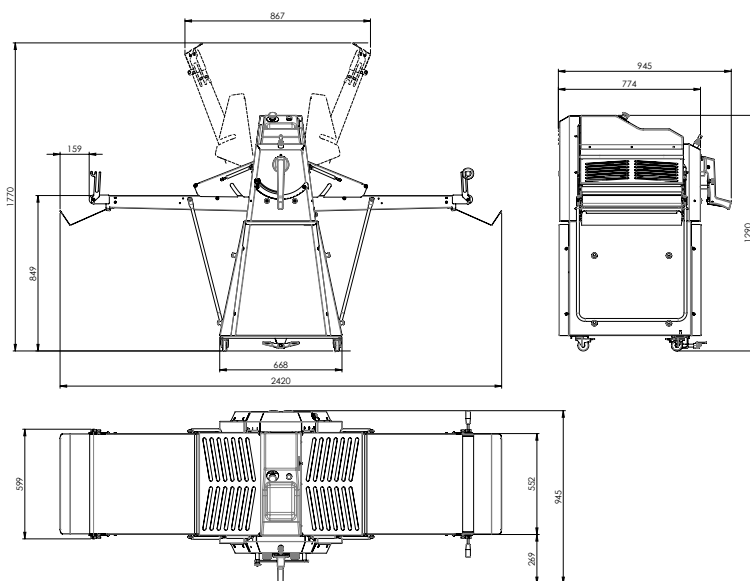
	STRATUS SENIOR
Electrical supply	400V / TRI+T / 50-60Hz
Power (kW)	0,55
Rated current (A)	1,8
Stand with castors	●
Table with bands	●
2 recovery shelves	●

● standard

■ Dimensions

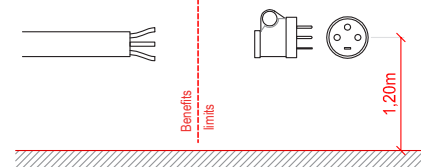
	STRATUS SENIOR
Roller width (mm)	600
Table length (mm)	1000
Cylinder opening (mm)	0 - 38
Weight (kg)	150

■ Implantation



Bertrand-Puma:
Power cable supplied

Client:
Wall outlet height 1,20m.
Male and female plugs not supplied



Electrical installation principle